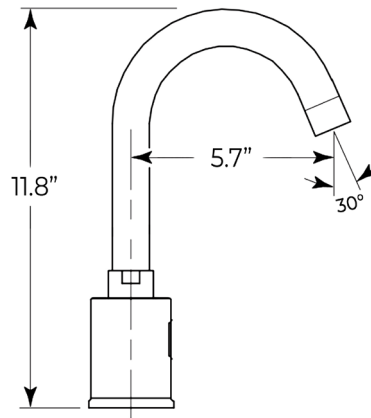
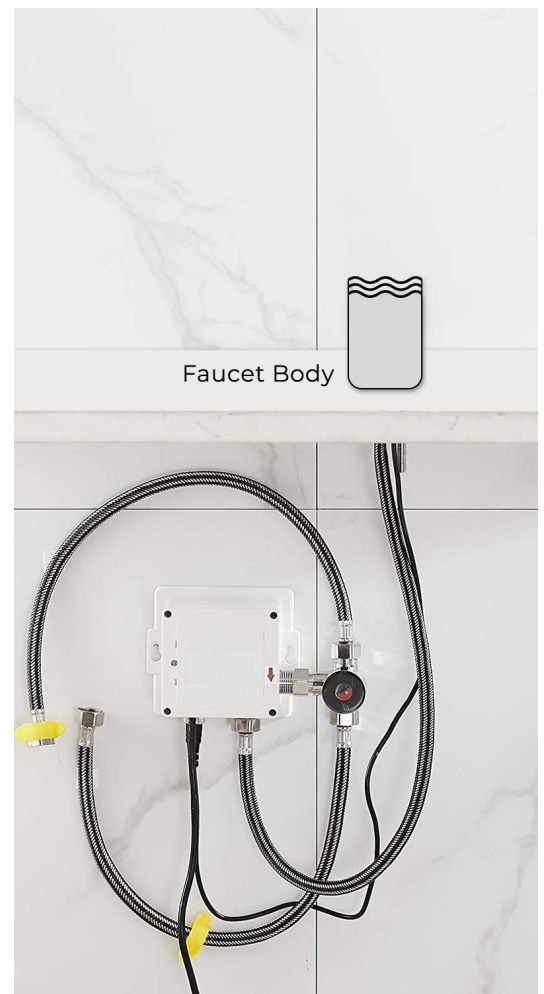


BATHSELECT WELLA GOOSE NECK CHROME AUTOMATIC COMMERCIAL SENSOR FAUCET B510 SPECS



Specs:

- Installation Holes: One Hole
- Number of Handles: Hands free
- Dia.of Inlet Pipe: G(1/2)"
- Dia.of Outlet Pipe: G(1/2)"
- Water Pressure: 0.05Mpa-0.8Mpa
- Power and Voltage: DC.6V
AC.220V-50/60Hz
- Power Consumption: 0.5mW(DC)
2W(DC)
- Detection Zone: Factory Settings
60CM
- Ambient Temperature: 0.1-45
Degress
- Degree of Protection by
enclosure: IP56
- Operated by AA X 4 (not
included)
- Power : DC6V (4AA Alkaline
batteries)
- Power Consumption: ≤0.5mW
- Great for both home and
commercial use
- Flow Rate: 1.3 GPM (gallons-per-
minute)



[Visit Product Page](#)